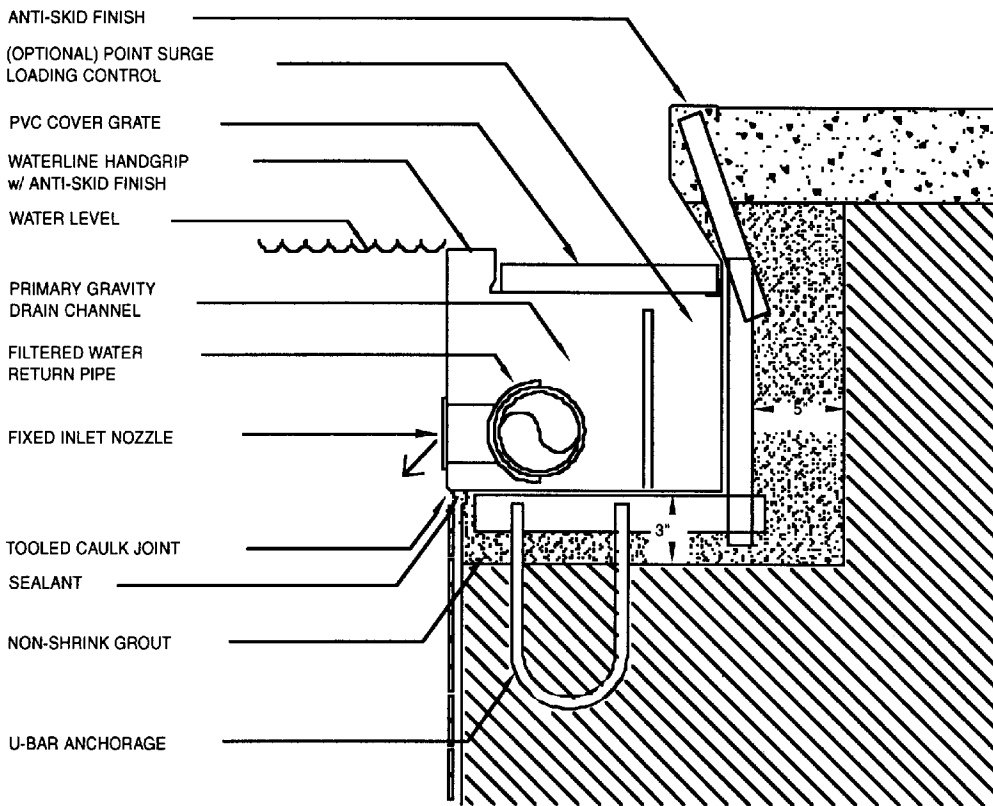


SERIES PRS

WITH STAINLESS STEEL GUTTER FACE



Created to serve a diverse aquatic agenda, the PRS Series supports formal competition, training, recreation and therapy programs. Its flowrate capabilities are in the low through high recirculating range. The PRS Series is a fully overflowing system with pool water level maintained at the gutter overflow rim according to NCAA Rules, and operates in conjunction with an external surge tank. Its performance adaptability also allows the economy of in-pool surge storage (when equipped with surge weirs) and lowered operating water level. Combining Models broadens the capability of the PRS Series. For instance, installation of a Competitive Endwall or Full Recess Model on each end of the pool meets the requirements of formal competition. Also, by incorporating a Semi-Recess Model on pool sidewalls, general recreation can also be accommodated (use with an external surge tank). See model PRS-SR below for detailed description.



Features

- All 12 ga. T-304L Stainless Steel, 2B Finish
- Conventional PVC Supply Pipe
- Continuous Waterline Handgrip
- PVC Drain Channel Grating

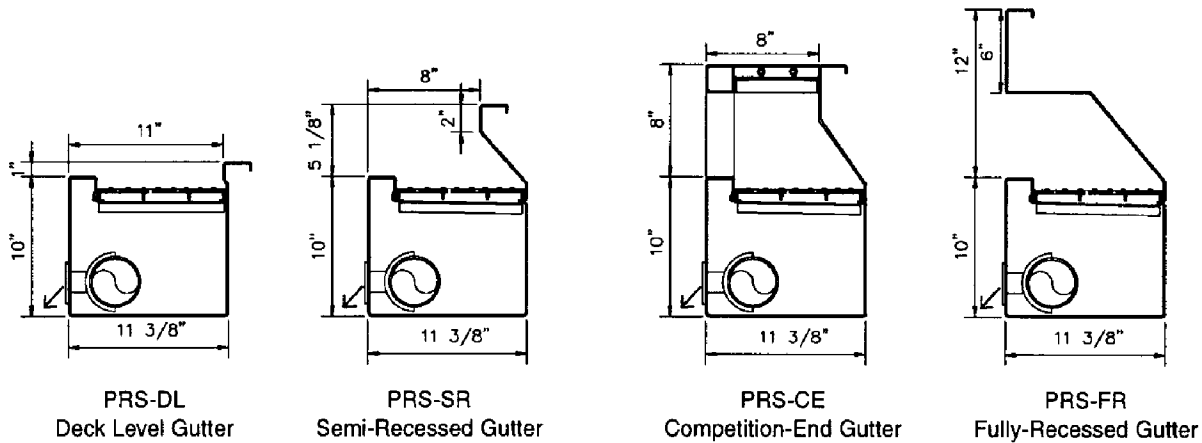
Options

- Ceramic Tile Face
- Depth Marker Locations
- Point Surge Loading
- Surge Weirs
- Automatic Water Makeup



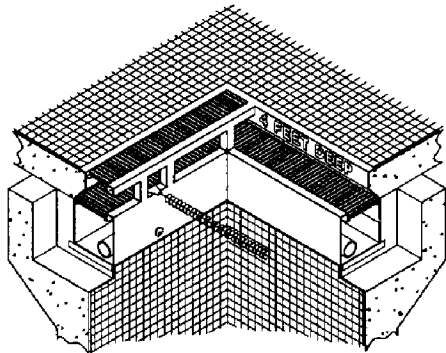
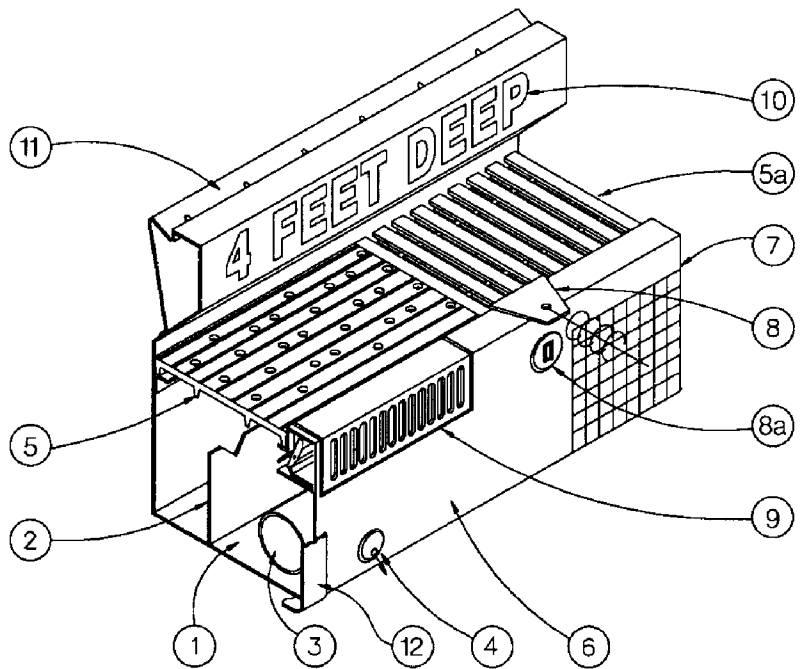
Aquatic Development Group
One Aquatic Center
P.O. Box 648
Cohoes, NY 12047
518.783.0038

Whitten Stainless Steel *PRS-Pipe Recirculation System* SELECTION DETAILS

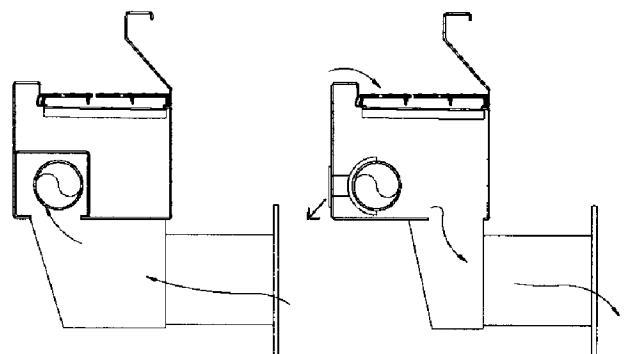


Whitten Recirculation Components

1. Primary Flow Channel
2. Point Surge Secondary Flow Channel
3. Filtered Water Return Channel
4. Filtered Water Inlet Nozzle
5. Non-Skid PVC Uni-grate
- 5a. Non-Skid PVC I-Beam Grate
6. Stainless Steel Face
7. Tile Inlay on Concrete Substrate
8. Lane Line Clip at Water Level
- 8a. Lane Line Clip Below Water Level
9. Intergral Surge Wier
10. Pool Depth Markings
11. Intergral Deck Drain
12. Expansion Joint Capacity



PRS Corner Detail of Semi-Recessed to Competition-End



PRS Return Converter

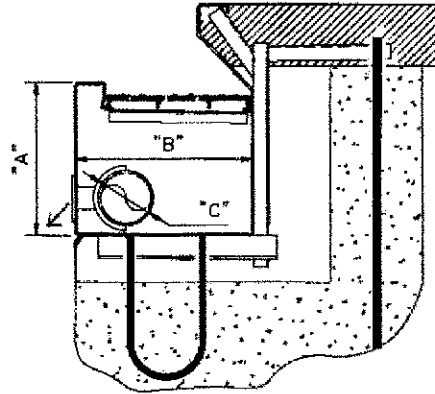
PRS Overflow Converter

Aquatic Development Group
One Aquatic Center
P.O. Box 648
Cohoes, NY 12047
518.783.0038

WHITTEN

Whitten Stainless Steel PRS-Pipe Recirculation System

SIZING CHART



Whitten Preferred Sizing

Pool Size:	30 x 60	45 x 75	45 x 82	60 x 75	60 x 82	60 x 120	60 x 164	75 x 164										
Pool Perimeter:	180	240	254	270	284	360	448	478										
Pool Area:	1800	3375	3690	4500	4920	7200	9840	12300										
GUTTER DIMENSIONS		FLOW RATE (GPM)																
A	B	C	X	Y	X	Y	X	Y	X	Y	X	Y						
8"	1 1/8"	4" Pipe	530	1115	500	1085	500	1085	495	1085	490	1070	475	1045	450	1015	445	1010
10"	1 1/8"	4" Pipe	765	1915	750	1865	735	1860	730	1835	725	1830	695	1780	670	1725	665	1710
12"	1 1/8"	4" Pipe	1045	2195	1015	2170	1000	2170	990	2140	975	2140	945	2085	920	2030	905	2020
14"	1 1/8"	4" Pipe	1350	2835	1300	2780	1300	2780	1280	2750	1270	2745	1230	2695	1180	2640	1155	2610

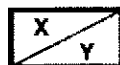


X=Gutter Flow with 1 Converter
Y=Gutter Flow with 2 Converters

For Comparison of calculations (see **Technical Bulletin #110** in the ADG Equipment Systems Catalogue)

Industry Minimum Sizing

Pool Size:	30 x 60	45 x 75	45 x 82	60 x 75	60 x 82	60 x 120	60 x 164	75 x 164										
Pool Perimeter:	180	240	254	270	284	360	448	478										
Pool Area:	1800	3375	3690	4500	4920	7200	9840	12300										
GUTTER DIMENSIONS		FLOW RATE (GPM)																
A	B	C	X	Y	X	Y	X	Y	X	Y	X	Y						
8"	1 1/8"	4" Pipe	895	1790	775	1550	755	1510	730	1460	715	1430	635	1270	570	1140	550	1100
10"	1 1/8"	4" Pipe	1615	3230	1395	2790	1360	2720	1315	2630	1285	2570	1140	2280	1025	2050	990	1980
12"	1 1/8"	4" Pipe	2480	4960	2150	4300	2090	4180	2025	4050	1975	3950	1755	3510	1575	3150	1520	3040
14"	1 1/8"	4" Pipe	3480	6960	3015	6030	2930	5860	2840	5680	2770	5540	2460	4920	2205	4410	2135	4270



X=Gutter Flow with 1 Converter
Y=Gutter Flow with 2 Converters

Aquatic Development Group
One Aquatic Center
P.O. Box 648
Cohoes, NY 12047
518.783.0038

WHITTEN