

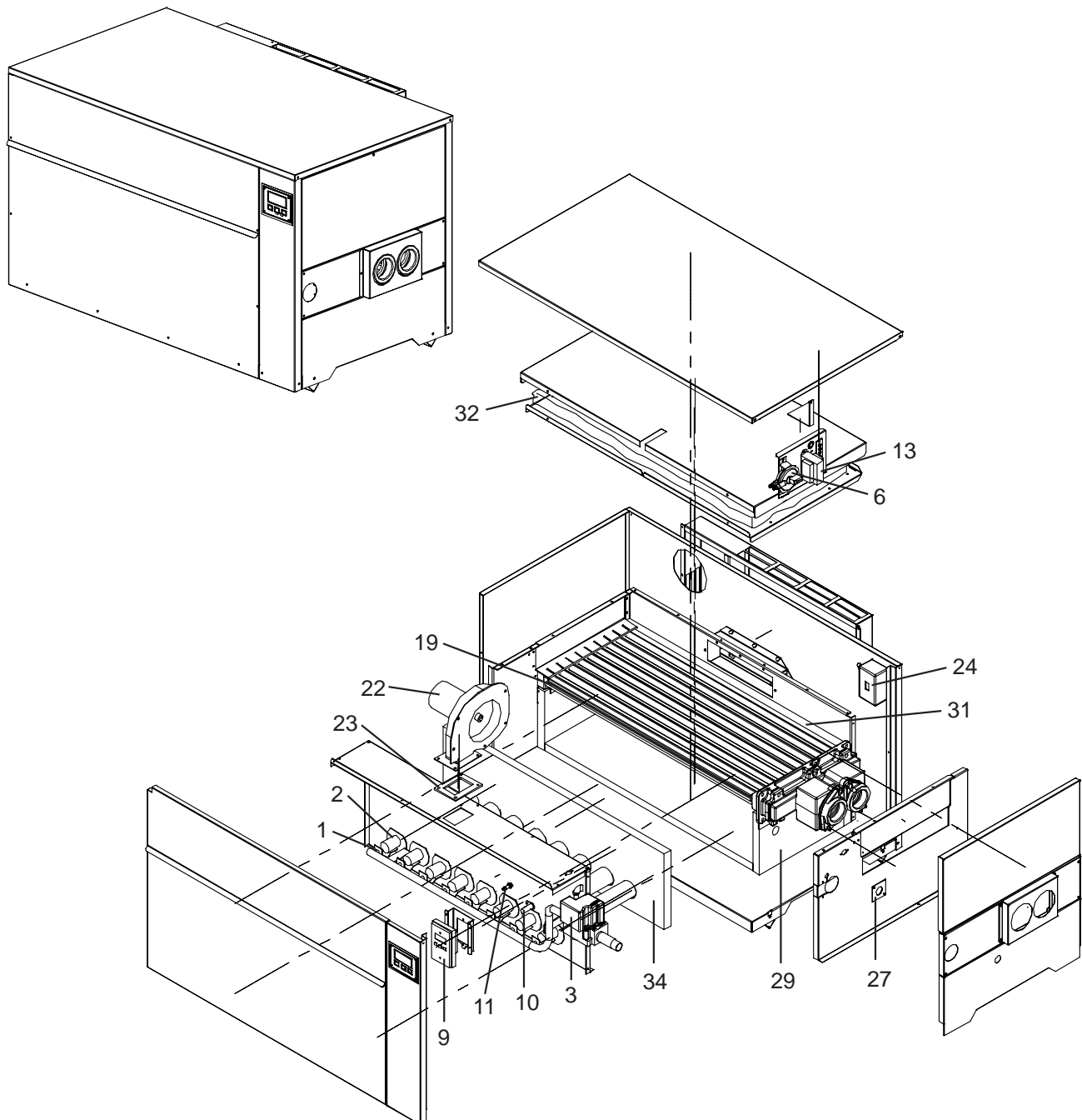


PARTS & SERVICE DEPARTMENT
 Nashville, Tennessee
 615-889-8900 • Fax: 615-547-1000
 www.Lochinvar.com

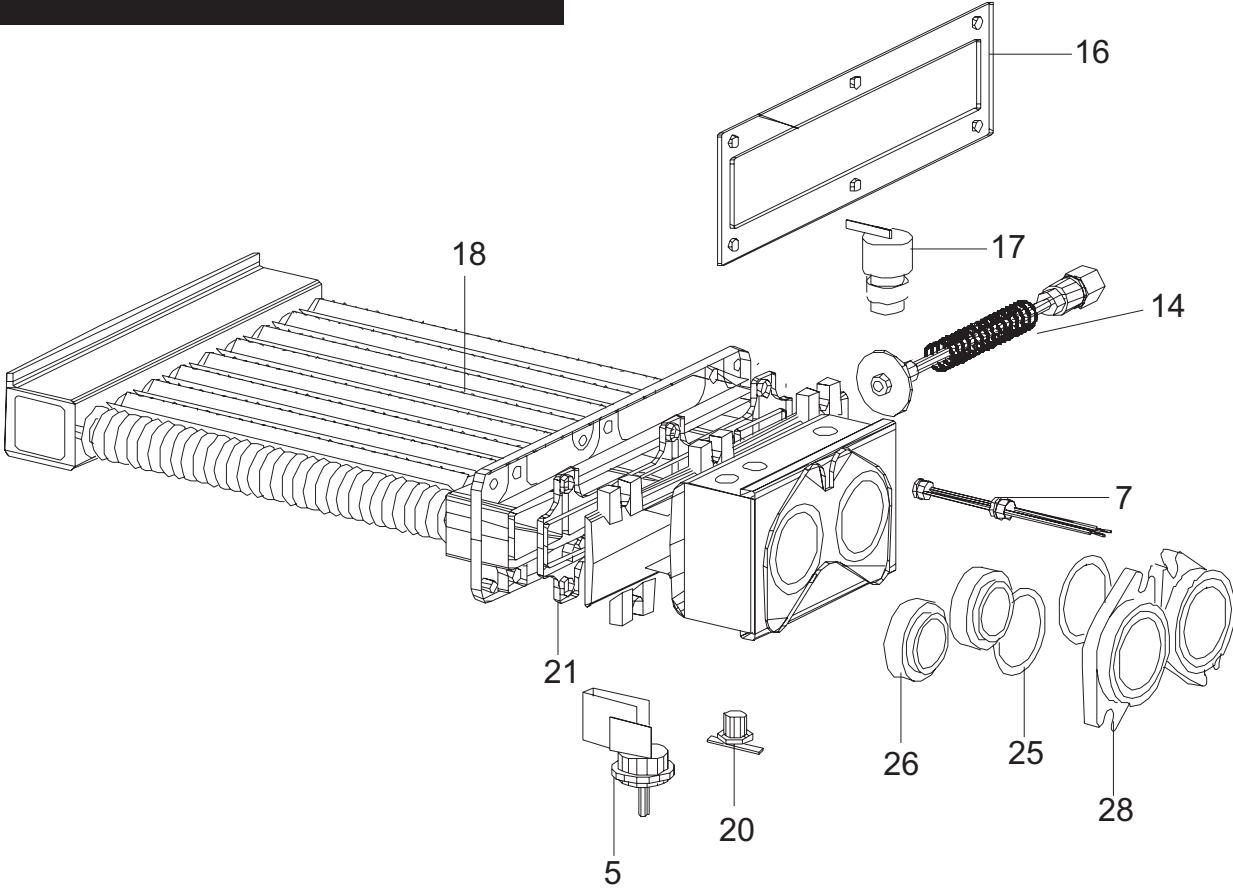
Replacement Parts List

EnergyRite²

Lochinvar
 Residential Pool Heaters
 ER(N, L) 151-401



HEAT EXCHANGER ASSEMBLY



ITEM NO.	PART NO.	DESCRIPTION	MODEL																		
Gas Train Assembly																					
1	ORF2406	Orifice Natural After S/N #E05H00004958	ALL																		
1	ORF2414	Orifice Natural Before S/N #E05H00004958	401																		
1	ORF2904	Orifice LPG	ALL																		
2																					
BNR3417	BURNER,																				
BNR3416	BURNER, W/ PRESSURE TAP																				
		<table border="1"> <thead> <tr> <th>MODEL</th> <th>BNR3417</th> <th>BNR3416</th> </tr> </thead> <tbody> <tr> <td>151</td> <td>2</td> <td>1</td> </tr> <tr> <td>201</td> <td>3</td> <td>1</td> </tr> <tr> <td>251</td> <td>4</td> <td>1</td> </tr> <tr> <td>301</td> <td>5</td> <td>1</td> </tr> <tr> <td>401</td> <td>7</td> <td>1</td> </tr> </tbody> </table>	MODEL	BNR3417	BNR3416	151	2	1	201	3	1	251	4	1	301	5	1	401	7	1	
MODEL	BNR3417	BNR3416																			
151	2	1																			
201	3	1																			
251	4	1																			
301	5	1																			
401	7	1																			
3	VAL2420	Ignition/GasValve	ALL																		
Controls & Gauges																					
5	PRS2406	Switch, Water Pressure	ALL																		
6	PRS2428	Switch, Air Pressure	ALL																		
7	TST2402	Thermostat, High Limit 175 Degree	ALL																		
9	RLY2038	Temperature Control, Digital	ALL																		
10	PLT3000	Ignitor Assembly	ALL																		
11	PLT2604	Flame Rod	ALL																		
13	TRF2002	Transformer 50 VA	ALL																		
14	MSC3400	Bypass Assembly	151																		
14	MSC3401	Bypass Assembly	201 & 251																		
14	MSC3402	Bypass Assembly	301 & 401																		
Heat Exchangers																					
15	HEX3425	Heat Exchanger (No Header Parts)	151																		
15	HEX3426	Heat Exchanger (No Header Parts)	201																		
15	HEX3427	Heat Exchanger (No Header Parts)	251																		
15	HEX3428	Heat Exchanger (No Header Parts)	301																		
15	HEX3429	Heat Exchanger (No Header Parts)	401																		
15	HEX3435	Cupro Nickel Heat Exchanger (No Header Parts)	151																		
15	HEX3436	Cupro Nickel Heat Exchanger (No Header Parts)	201																		
15	HEX3437	Cupro Nickel Heat Exchanger (No Header Parts)	251																		
15	HEX3438	Cupro Nickel Heat Exchanger (No Header Parts)	301																		
15	HEX3439	Cupro Nickel Heat Exchanger (No Header Parts)	401																		
15	HEX3405-A	Heat Exchanger ASME (with Header)	151																		
15	HEX3406-A	Heat Exchanger ASME (with Header)	201																		
15	HEX3407-A	Heat Exchanger ASME (with Header)	251																		
15	HEX3408-A	Heat Exchanger ASME (with Header)	301																		
15	HEX3409-A	Heat Exchanger ASME (with Header)	401																		
15	HEX3415-A	Cupro Nickel HEX ASME (with Header)	151																		
15	HEX3416-A	Cupro Nickel HEX ASME (with Header)	201																		
15	HEX3417-A	Cupro Nickel HEX ASME (with Header)	251																		
15	HEX3418-A	Cupro Nickel HEX ASME (with Header)	301																		
15	HEX3419-A	Cupro Nickel HEX ASME (with Header)	401																		
16	GKT2400	Gasket, Heat Shield	ALL																		
Miscellaneous																					
17	RLV2011	Relief Vavle, 50 psi (OPTIONAL)	ALL																		
18	JKD2260	V-Baffle (8 per HEX)	151																		
18	JKD2261	V-Baffle (8 per HEX)	201																		
18	JKD2262	V-Baffle (8 per HEX)	251																		
18	JKD2263	V-Baffle (8 per HEX)	301																		
18	JKD2264	V-Baffle (8 per HEX)	401																		
19	JKD6256	Frame-End (2 per HEX)	151																		

ITEM NO.	PART NO.	DESCRIPTION	MODEL
Miscellaneous Cont.			
19	JKD6257	Frame-End (2 per HEX)	201
19	JKD6258	Frame-End (2 per HEX)	251
19	JKD6259	Frame-End (2 per HEX)	301
19	JKD6277	Frame-End (2 per HEX)	401
20	DRV2400	Drain Cock	ALL
21	GKT2412	Gasket, Header	ALL
22	FAN2724	Combustion Fan	151
22	FAN2723	Combustion Fan	201-401
23	GKT2009	Fan Gasket	ALL
24	MSC2426	On/Off Switch	ALL
25	GKT2413	Gasket, Flange 2"	ALL
26	GKT2414	Gasket, Flange 1-1/2"	ALL
27	MSC3415	Sight Glass Assembly	ALL
28	WTR3502	Flange	ALL
-	GKT3408	Gasket Strip Manning Glass (45" length)	ALL
-	MSC2706	Tubing-EPDM 1/4"	ALL
-	MSC2457	Fitting Hose Barb	ALL
-	GKT2427	Gasket, Excutechon 3/4" Pipe	ALL
-	TST2301	Bulbwell	ALL
-	GKT2053	Gasket, Tape 1/8" x 1/2" Open Cell Neoprene	ALL
-	GKT2715	Gasket, Tape 1/4" x 5/8" Silicone Sponge	ALL
-	TST2313	Tekmar 071 Temperature Sensor	ALL
-	MSC2461	Silcone Tubing	ALL
-	WRE2035	Main Wire Harness	ALL
-	PRS2701	Pressure Tap	ALL
-	WTR3504	Front Header	ALL
Loch-Heat Tile			
29	FIB2237	Insulation, Front Head Side Panel	ALL
30	FIB2238	Insulation, Rear-Head Side Panel	ALL
31	FIB2249	Insulation, Back Panel	151
31	FIB2250	Insulation, Back Panel	201
31	FIB2251	Insulation, Back Panel	251
31	FIB2252	Insulation, Back Panel	301
31	FIB2253	Insulation, Back Panel	401
32	FIB2800	Insulation, Top	151
32	FIB2801	Insulation, Top	201
32	FIB2802	Insulation, Top	251
32	FIB2803	Insulation, Top	301
32	FIB2816	Insulation, Top	401
33	FIB2244	Insulation, Bottom Panel	151
33	FIB2245	Insulation, Bottom Panel	201
33	FIB2246	Insulation, Bottom Panel	251
33	FIB2247	Insulation, Bottom Panel	301
33	FIB2248	Insulation, Bottom Panel	401
34	FIB2239	Insulation, Front Panel	151
34	FIB2240	Insulation, Front Panel	201
34	FIB2241	Insulation, Front Panel	251
34	FIB2242	Insulation, Front Panel	301
34	FIB2243	Insulation, Front Panel	401